

Introduction to Biomedical Engineering

John D. Enderle, Susan M. Blanchard, Joseph D. Bronzino

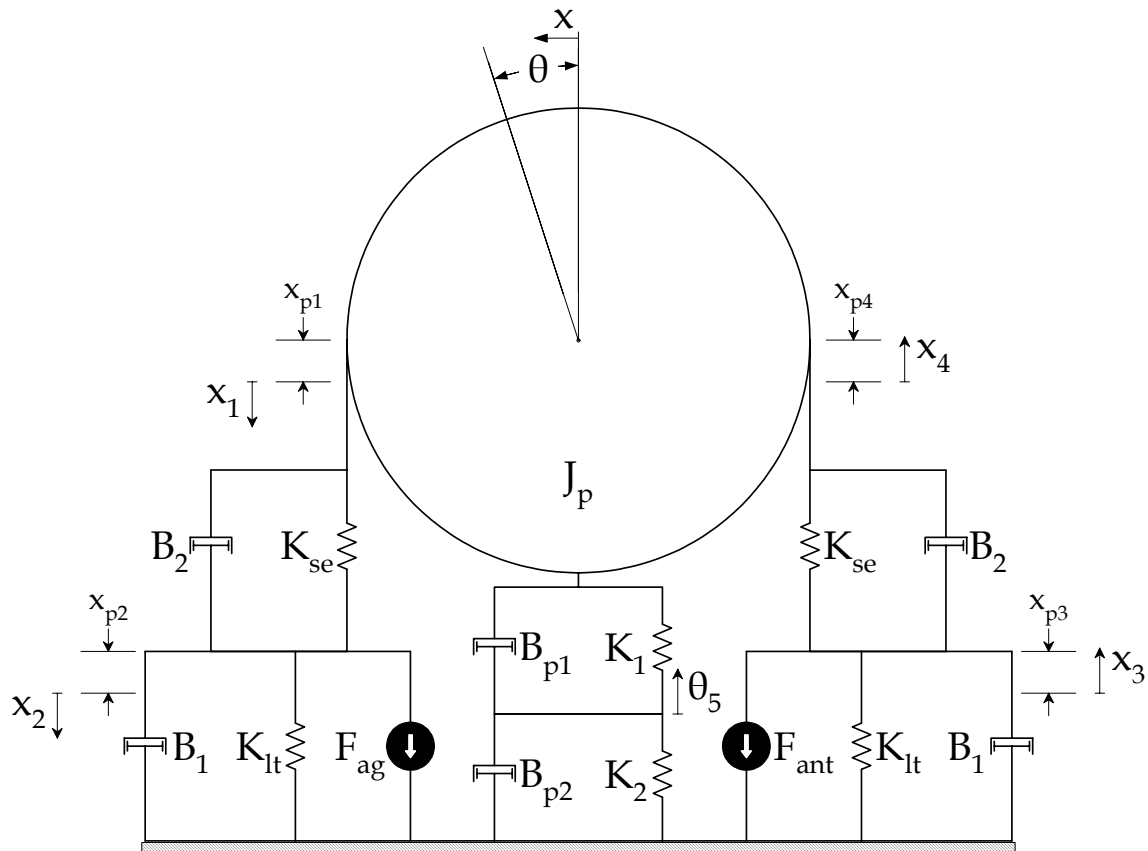
Errata for 3rd Printing

Chapter 3

p. 125, “The units for the α is and β is in Equations 11.43, 11.45 and 11.46 are ms^{-1} while n, m and h are dimensionless and range in value from 0 to 1.”

Chapter 7

p. 325, Figure 7.27 q5 should be θ_5 .



p. 326, Expression for $\delta = \frac{57.296}{rC_4}$

p. 360, Problem 6. B_1 should be 1Ns/m and B_2 should be 2Ns/m.

Chapter 8

p. 394, below equation 8.58, the term in the square root a should be squared, not subscripted

$$\alpha = 0.5 \left[a + \sqrt{a^2 - b} \right]$$

p. 395, 10th line of center text block, the word estimated was misspelled as “estiamted”

p. 396, 10th line of section 8.4, the word estimation is misspelled as “estiamtion”

p. 403, Top of the page, incorrect numbering of subchapter